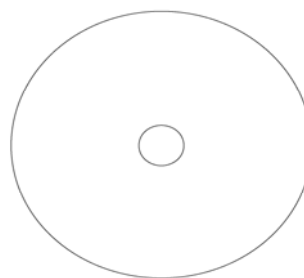
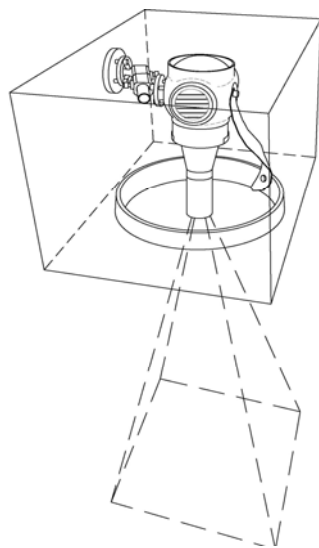
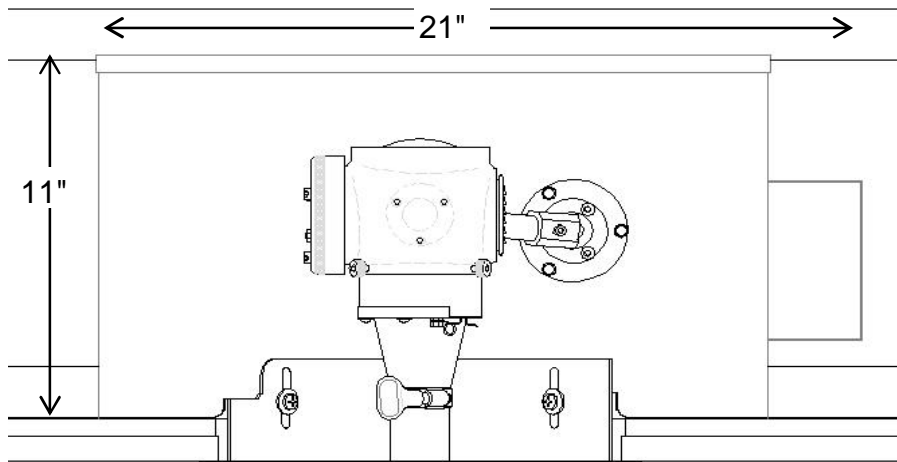
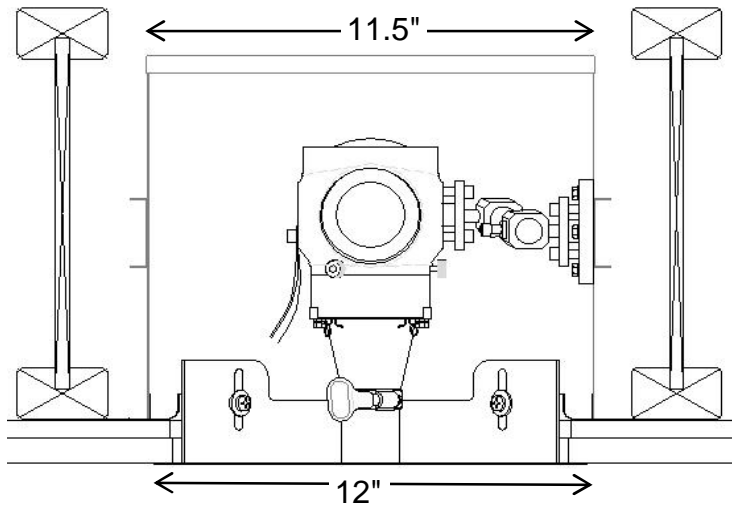



ML-150C-D-4

includes
Non IC Housing, Overlap Access Panel, 150W CMH Projector, and Gimble Mounting



Center hole
cover plate

Projector Specifications

Description	Merlin Light® Precision optical framing projector
	
Catalog #	ML-150C-D-4
Rating UL 1598	Non insulation contact. Non airtite unless installed inside HOA or HOJ airtight Housing
Housing H1	20 Gage, powder coated, steel. Installed by qualified electrician. Orientate ballast toward Art Work.
Access Panel A2	Overlap access panel. Steel collar for wood, drop or thick ceilings, with 12", overlapping, white primer cover plate. Center hole.
Lamp and Ballast L3	150 Watt Ceramic Metal Halide Lamp and 150W, 120/277 VAC electronic ballast, dimmable to 50%. Time delay on hot restart. 0-10V wiring and interface required for dimming
Projector P1	Cast aluminum body with black anodize finish. Projector will be supplied and installed by a GlennCo Inc. or factory certified technician. Installer will make final installation and confinement on art object being illuminated.
Mounting M1	Gimble Mount and strap
Lens	Objective lens selected by installation technician.



652 W. Confluence Ave Murray Utah, 84123

385-743-3333 fax 385-743-3334

www.glenncoinc.com

* Copyright Protected, GlennCo INC. 2006

