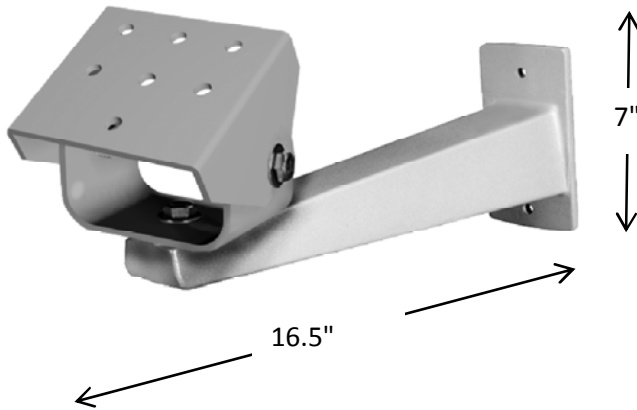


ML-WP-150C-D-1

includes
Weather Proof Housing, 150W CMH Projector, and Wall Mount



Weatherproof Housing



Wall Mount

Projector Specifications

Description	Merlin Light® Weather proof, precision optical framing projector
Catalog #	ML-WP-150C-D-1
Application	Weatherproof housing for outdoor illuminate of Sculptures, Water features or Architecture
Housing	All aluminum NEMA 3R construction. Installed by qualified electrician.
Access	Top access forward opening lid, allows easy access during installation and adjustment.
Lamp and Ballast	150 Watt Ceramic Metal Halide Lamp and 150W, L3 120/277 VAC electronic ballast, dimmable to 50%. Time delay on hot restart. 0-10V wiring and interface required for dimming
Projector P1	Cast aluminum body with black anodize finish.
ETL Listed UL 1598	Projector will be supplied and installed by a GlennCo Inc. or factory certified technician. Installer will make final installation and confinement on art object being illuminated.
Mounting WM	Aluminum multiaxis wall mount, allows easy installation and adjustment
Lens	Objective lens selected by installation technician.



652 W. Confluence Ave Murray Utah, 84123

385-743-3333 fax 385-743-3334

www.glenncoinc.com

* Copyright Protected, GlennCo INC. 2006

