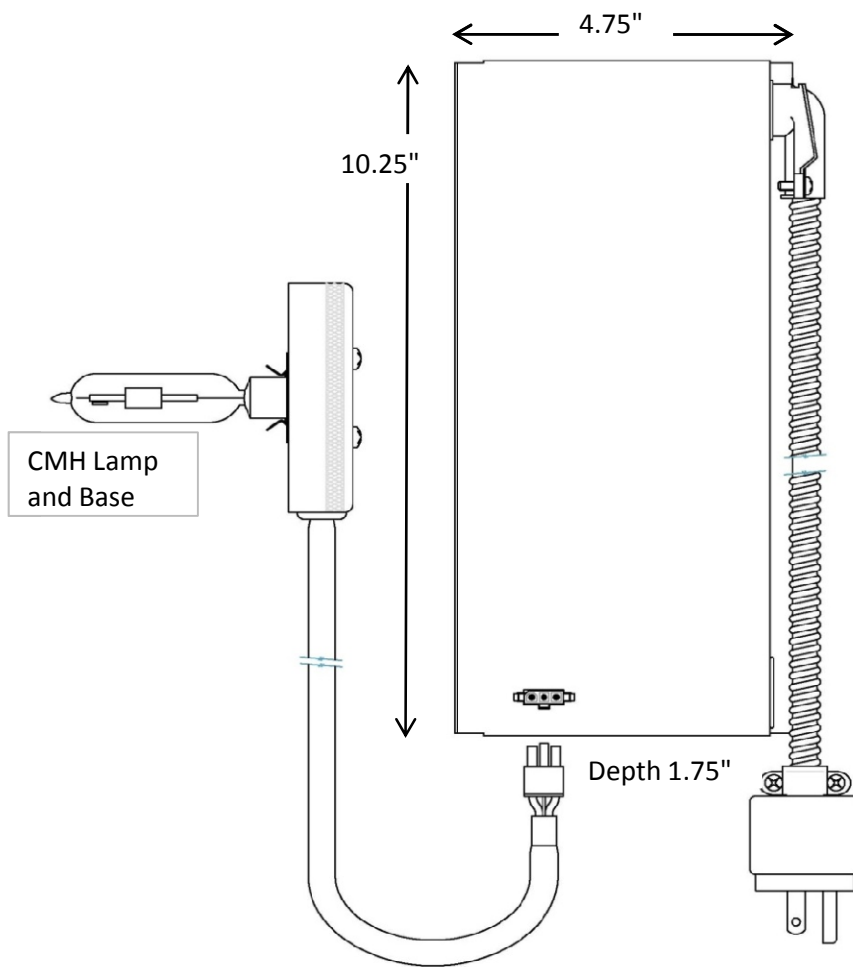


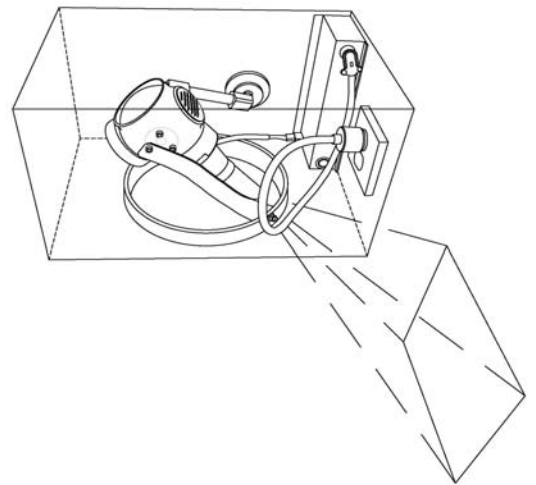
ML-RK-150

includes
Enclosure, 150W 60% Dimmable Ballast, 150W CMH Lamp and Lamp Base.



Projector Specifications	
Description	Merlin Light® Retro Kit to convert Halogen to CMH lamping. Patent Pending
Catalog #	ML-RK-150
Rating	Install inside existing Merlin Light® Housing
UL 1598	20 Gage, powder coated, steel. Installed by qualified electrician Orient ballast toward art.
Lamp and Ballast L3	150 Watt, G12 lamp base, 3000K Ceramic Metal Halide Lamp, and 150W 120VAC Electronic Ballast, dimmable to 60%. Time delay on hot restart. 0-10V wiring and interface required, but not supplied for dimming.
Mounting	Screws through flanges, see instructions.

Comparison points; 150W CMH versus Halogen		
Properties	CMH 150 watt	Halogen 250 watt
1. External housing temperature	128	145 deg
2. Projector body temperature	260	410 deg
3. Approximate lumens	14,000	5,000
4. Average rated life	12,000 hrs.	2,000 hrs.
5. CRI	82	100
6. K = Color temperature	3000K	2950K
7. Start time	3 min to 90%	instant
8. Restart time	15 min. cool down	instant
9. IC/AT Housing	No	No
10. Dimmable	Yes to 60%	Yes 100%
11. Input voltage	120/277VAC	120VAC



652 W. Confluence Ave Murray Utah, 84123

385-743-3333 fax 385-743-3334

www.glenncoinc.com

* Copyright Protected, GlennCo INC. 2006

