

ML-250I-D-3

includes
Non IC Housing, Overlap Access Panel, 250W Halogen Projector, and Gimble Mounting

Projector Specifications

Description Merlin Light® Precision optical framing projector



Catalog # ML-250I-D-3

Rating Non insulation contact.
UL 1598 Non airtite unless installed inside HOA or HOJ airtight Housing

Housing H1 20 Gage, powder coated, steel. Installed by qualified electrician. Orientate ballast toward Art Work.

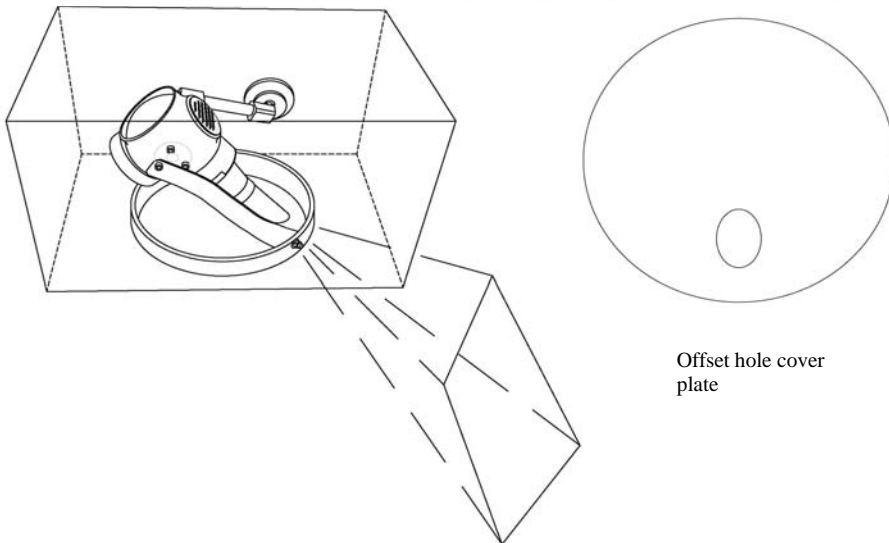
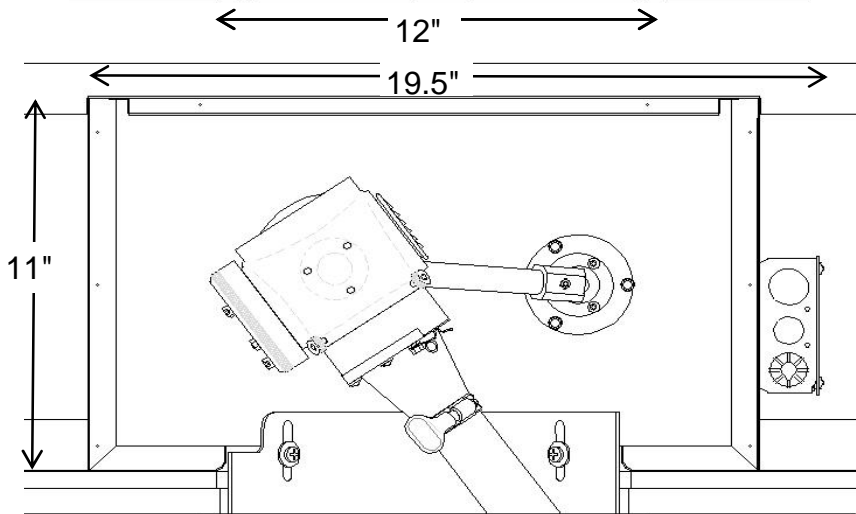
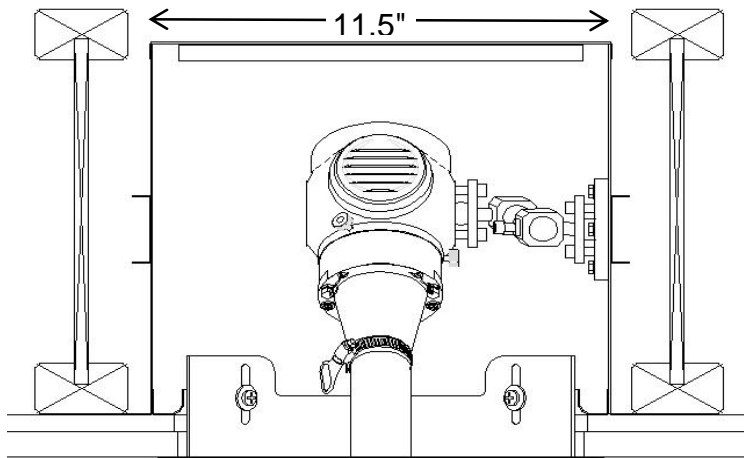
Access Panel A2 Overlap access panel. Steel collar for wood, drop or thick ceilings, with 12", overlapping, white primer cover plate. Offset hole.

Lamp L1 120 V power, 150 or 250 Watt Halogen Lamp. 100% Dimmable

Projector P1 Cast aluminum body with black anodize finish. Projector will be supplied and installed by a GlennCo Inc. or factory certified technician. Installer will make final installation and confinement on art object being illuminated.

Mounting M1 Gimble Mount and strap

Lens Objective lens selected by installation technician.



Offset hole cover plate



652 W. Confluence Ave Murray Utah, 84123

385-743-3333 fax 385-743-3334

www.glenncoinc.com

* Copyright Protected, GlennCo INC. 2006

