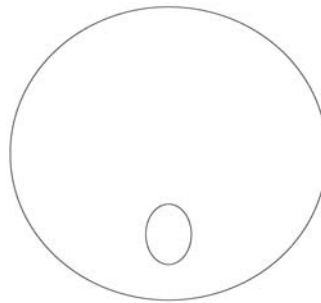
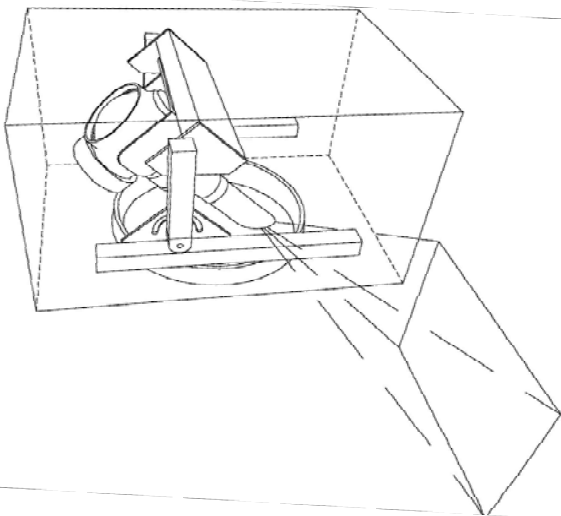
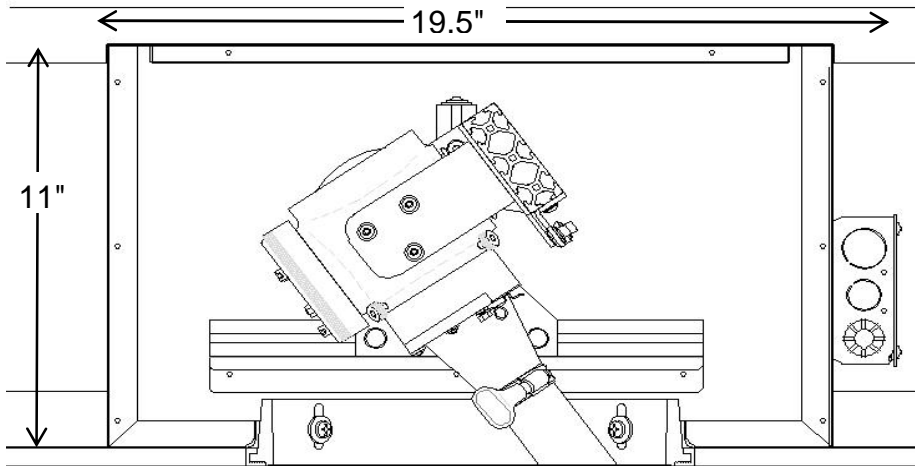
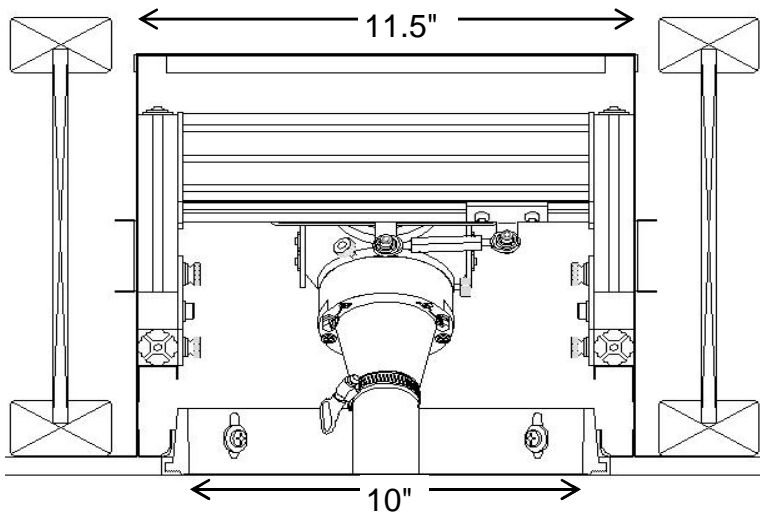



# ML-250I-D-5

includes  
Non IC Housing, Flush Access Panel, 250W Halogen Projector, and Rack Mounting



Offset hole  
cover plate

## Projector Specifications

Description	Merlin Light™ Precision optical framing projector
	
Catalog #	ML-250I-D-5
Rating UL 1598	Non insulation contact. Non airtite unless installed inside HOA or HOJ airtight Housing
Housing H1	20 Gage, powder coated, steel. Installed by qualified electrician. Orientate ballast toward Art Work.
Access Panel A1	Flush access panel. Cast Aluminum mud ring for plaster or drywall, with 10" flush, white primer cover plate. Offset hole.
Lamp L1	120 V power, 150 or 250 Watt Halogen Lamp. 100% Dimmable
Projector P1	Cast aluminum body with black anodize finish. Projector will be supplied and installed by a GlennCo Inc. or factory certified technician. Installer will make final installation and confinement on art object being illuminated.
Mounting M2	Aluminum multiaxis rack allows easy adjustment
Lens	Objective lens selected by installation technician.



652 W. Confluence Ave Murray Utah, 84123

385-743-3333 fax 385-743-3334

www.glenncoinc.com

\* Copyright Protected, GlennCo INC. 2006

