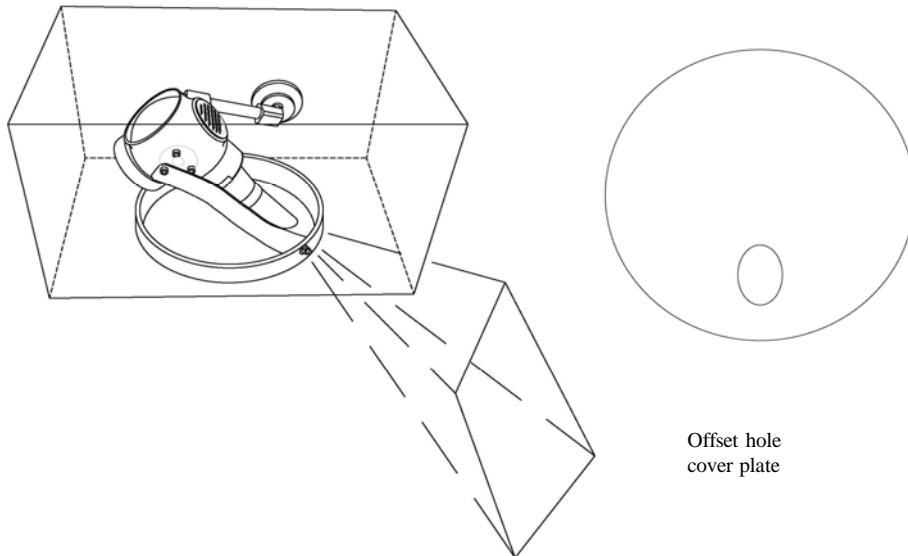
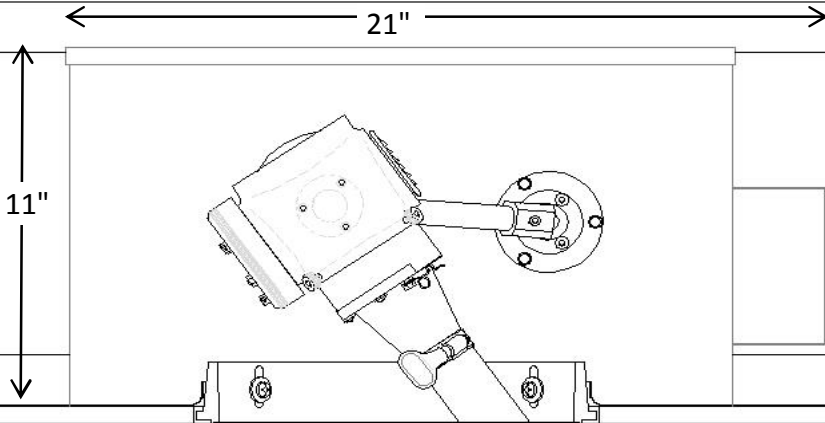
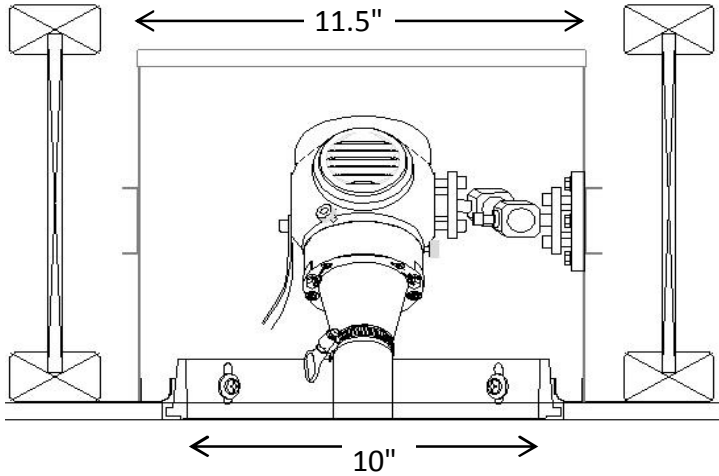


# ML-39C-D-1

includes  
IC Housing, Flush Access Panel, 39W CMH Projector, and Gimble Mounting



## Projector Specifications

Description	Merlin Light® Precision optical framing projector
Catalog #	ML-39C-D-1
Rating	Insulation contact. Non airtite unless installed inside HOA or HOJ
Housing H1	20 Gage, powder coated, steel. Installed by qualified electrician. Orientate ballast toward Art Work.
Access Panel A1	Flush access panel. Cast aluminum mud ring for plaster or drywall, with 10" flush, white primer cover plate. Offset hole.
Lamp and Ballast L4	39 Watt Ceramic Metal Halide Lamp and 39W, 120/277 VAC electronic ballast, dimmable to 50%. Time delay on hot restart.
See wiring detail sheet	0-10V wiring and interface required for dimming
Projector P1	Cast aluminum body with black anodize finish. Projector will be supplied and installed by a GlennCo Inc. or factory certified technician. Installer will make final installation and confinement on art object being illuminated.
Mounting M1	Gimble Mount and strap
Lens	Objective lens selected by installation technician.



652 W. Confluence Ave Murray Utah, 84123

385-743-3333 fax 385-743-3334

www.glenncoinc.com

\* Copyright Protected, GlennCo INC. 2006

