

MLS-39C-D-3

includes
IC Housing, Flush Access Panel, 39W CMH Projector, and Gimble Mounting

Projector Specifications

Description Merlin Light® Precision optical framing projector



Catalog # MLS-39C-D-3

Rating Insulation contact. Non UL 1598 airtite unless installed inside HOA or HOJ

Housing H1 20 Gage, powder coated, steel. Installed by qualified electrician. Orientate ballast toward Art Work.

Access Panel A2 Overlap access panel. Steel collar for wood, drop or thick ceilings, with 12", overlapping, white primer cover plate. Offset hole.

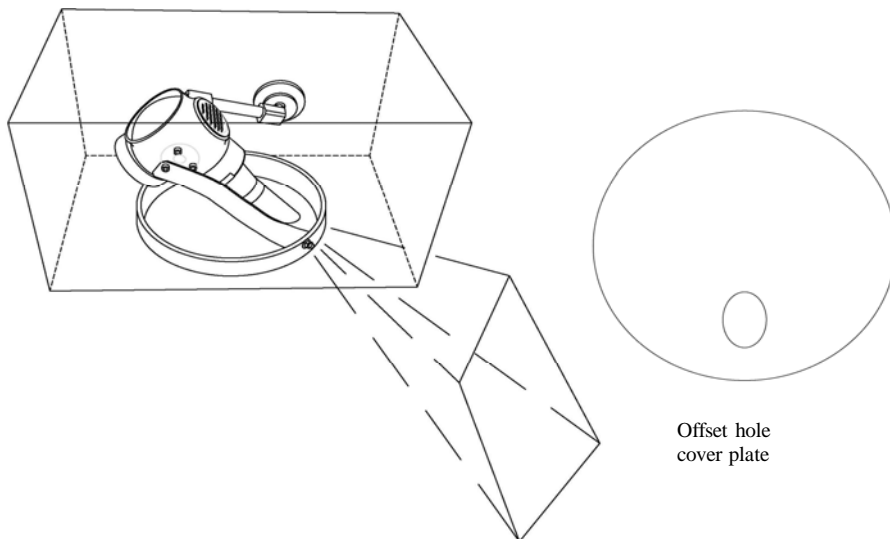
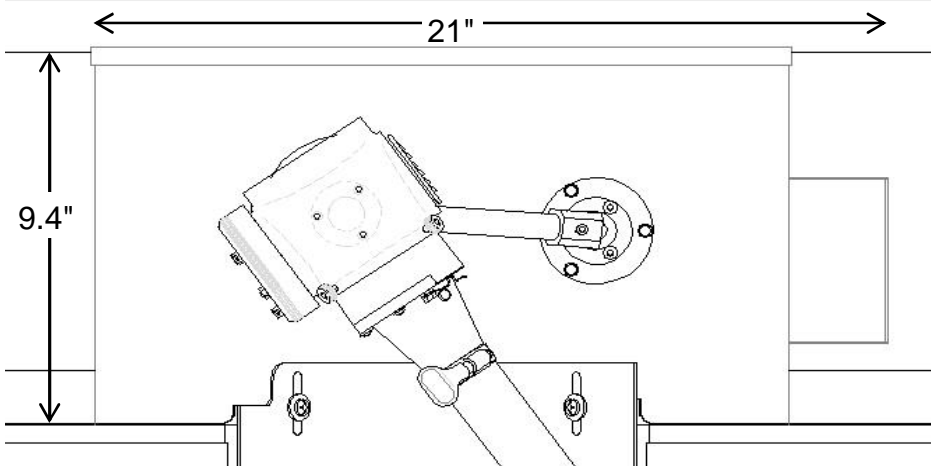
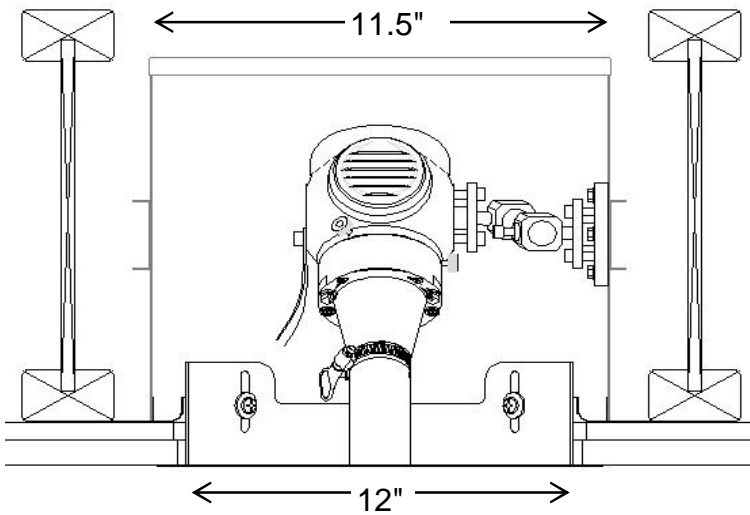
Lamp and Ballast L4 39 Watt Ceramic Metal Halide Lamp and 39W, 120/277 VAC electronic ballast, dimmable to 50%. Time delay on hot restart.

See wiring detail sheet 0-10V wiring and interface required for dimming

Projector P1 Cast aluminum body with black anodize finish. Projector will be supplied and installed by a GlennCo Inc. or factory certified technician. Installer will make final installation and confinement on art object being illuminated.

Mounting M1 Gimble Mount and strap

Lens Objective lens selected by installation technician.



Offset hole cover plate

652 W. Confluence Ave Murray Utah, 84123

385-743-3333 fax 385-743-3334

www.glenncoinc.com

* Copyright Protected, GlennCo INC. 2006

