


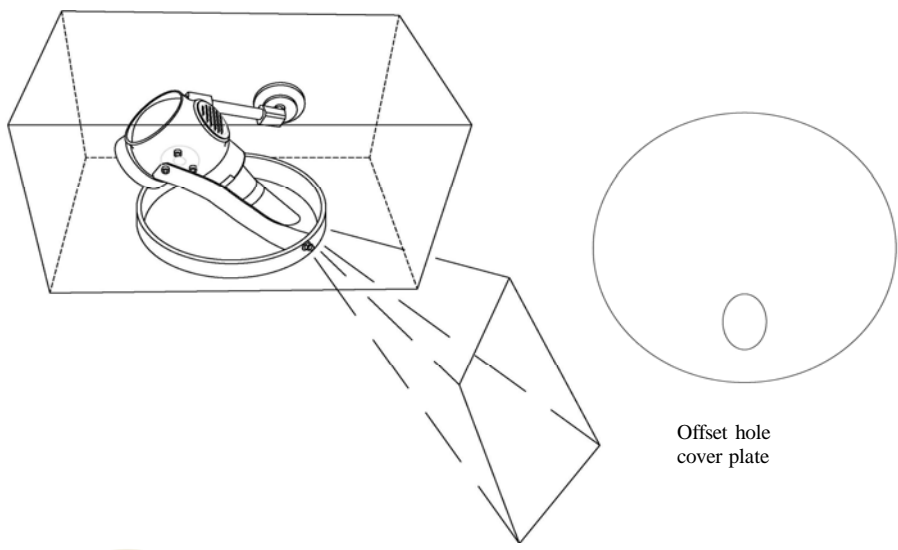
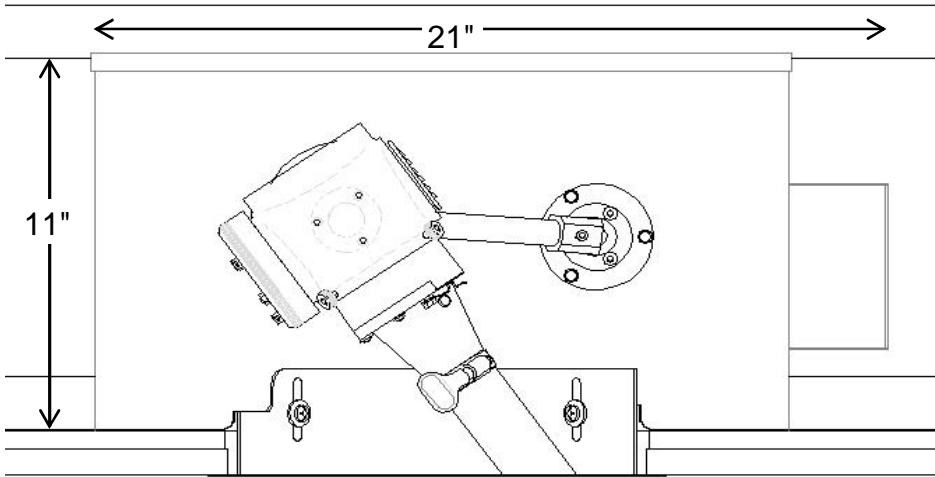
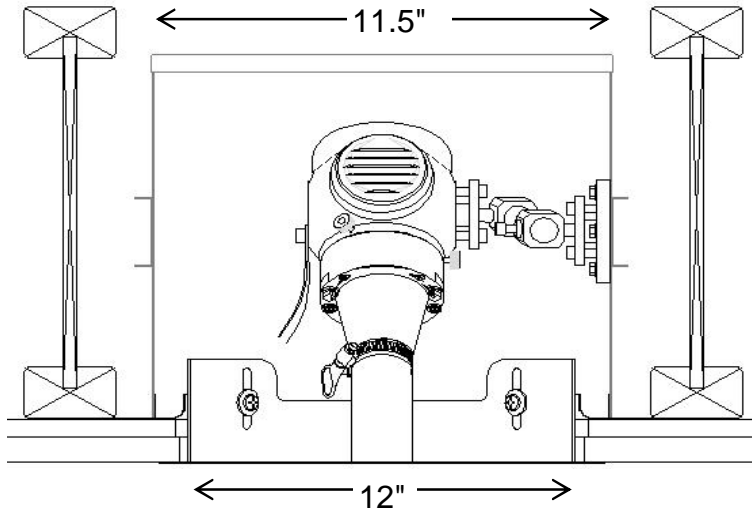
ML-70C-3

includes

Non IC Housing, Overlap Access Panel, 70W CMH Projector, and Gimble Mounting

Projector Specifications

Description	Merlin Light® Precision optical framing projector
	
Catalog #	ML-70C-3
Rating	Non insulation contact.
UL 1598	Non airtite unless installed inside HOA or HOJ
Housing	20 Gage, powder coated, steel. Installed by qualified electrician. Orientate ballast toward Art Work.
Access Panel	Overlap access panel. Steel collar for wood, drop or thick ceilings, with 12", overlapping, white primer cover plate. Offset hole.
Lamp and Ballast	70 Watt Ceramic Metal Halide Lamp and 70W, 120/277 VAC electronic ballast, non dimmable. Time delay on hot restart.
L2	
See wiring	detail sheet
Projector	Cast aluminum body with black anodize finish. Projector will be supplied and installed by a GlennCo Inc. or factory certified technician. Installer will make final installation and confinement on art object being illuminated.
P1	
Mounting	Gimble Mount and strap
M1	
Lens	Objective lens selected by installation technician.



652 Confluence Ave, Murray Utah, 84124
 385-743-3333 Fax 385-743-3334
 www.merlinlights.com
 * Copyright Protected, GlennCo INC. 2006

