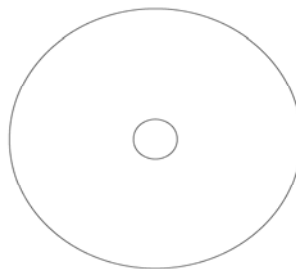
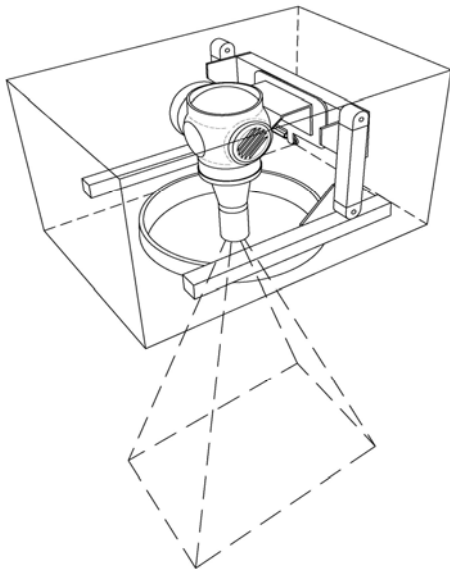
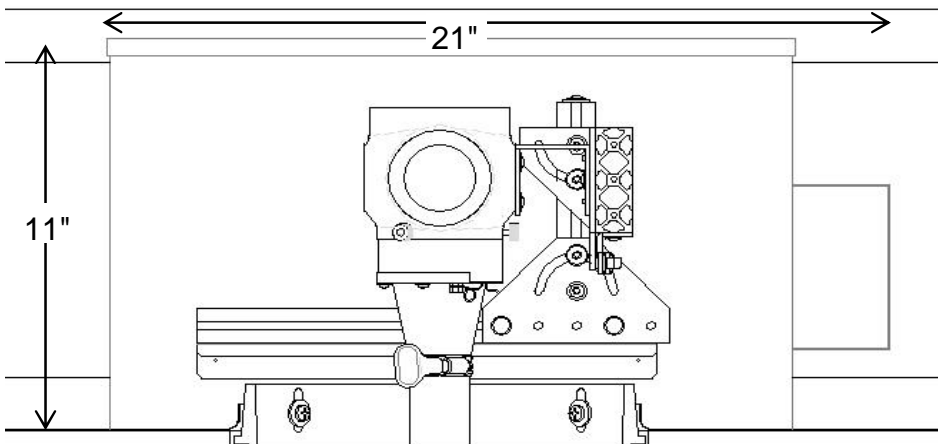
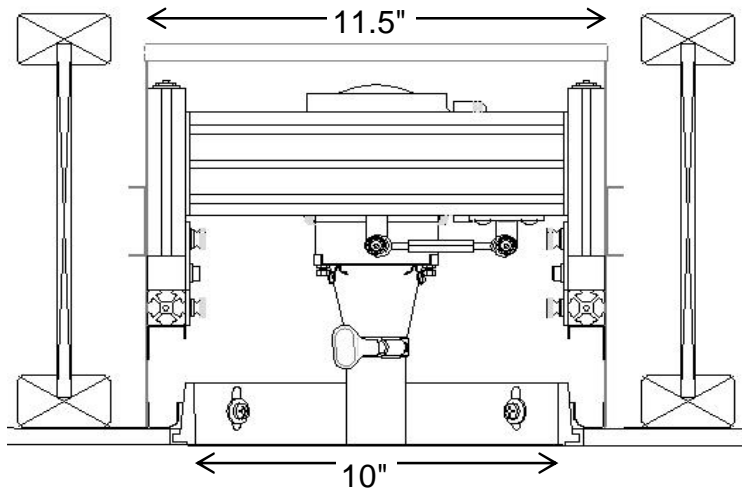


ML-70C-6


includes

Non IC Housing, Flush Access Panel, 70W CMH Projector, and Rack Mounting



Center hole cover plate

Projector Specifications

Description	Merlin Light® Precision optical framing projector
	
Catalog #	ML-70C-6
Rating	Non insulation contact.
UL 1598	Non airtite
Housing H1	20 Gage, powder coated, steel. Installed by qualified electrician. Orientate ballast toward Art Work.
Access Panel A1	Flush access panel. Cast Aluminum mud ring for plaster or drywall, with 10" flush, white primer cover plate. Center hole.
Lamp and Ballast L2	70 Watt Ceramic Metal Halide Lamp and 70W, 120/277 VAC electronic ballast, non dimmable. Time delay on hot restart.
See wiring detail sheet	
Projector P1	Cast aluminum body with black anodize finish. Projector will be supplied and installed by a GlennCo Inc. or factory certified technician. Installer will make final installation and confinement on art object being illuminated.
Mounting M2	Aluminum multiaxis rack allows easy adjustment
Lens	Objective lens selected by installation technician.



652 Confluence Ave, Murray Utah, 84124

385-743-3333 Fax 385-743-3334

www.merlinlights.com

* Copyright Protected, GlennCo INC. 2006

