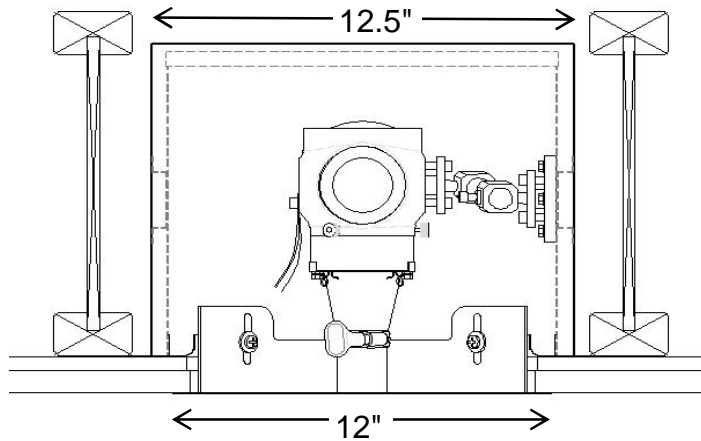


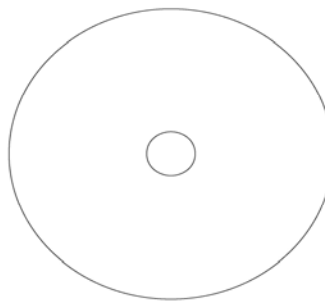
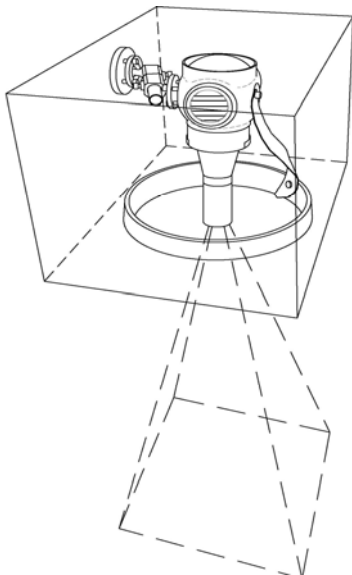
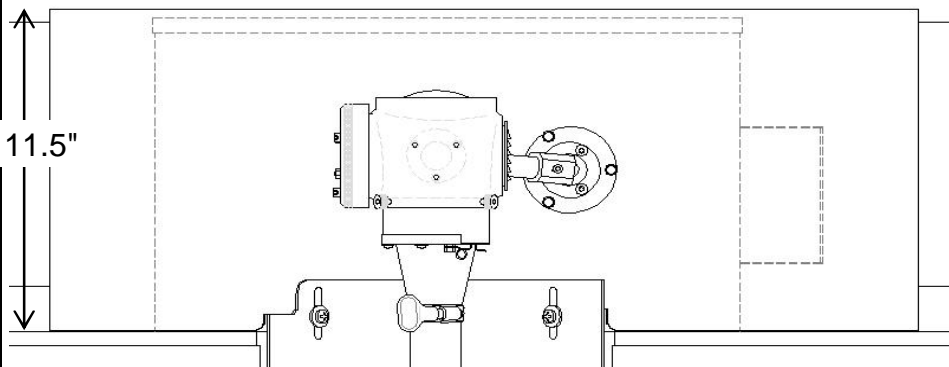
ML-AT-70C-4

includes

IC/AT Housing, Overlap Access Panel, 70W CMH Projector, and Gimble Mounting




← 27" →



Center hole cover plate

Projector Specifications

| | |
|---|---|
| Description | Merlin Light® Precision optical framing projector |
|  | |
| Catalog # | ML-AT-70C-4 |
| Rating | Insulation Contact and Airtite rated per UL 1598 and ASTM E283-04 |
| Housing HOJ-H2 | 20 Gage, powder coated, steel. Installed by qualified electrician. Orientate ballast toward Art Work. |
| Access Panel A2 | Overlap access panel. Steel collar for wood, drop or thick ceilings, with 12", overlapping, white primer cover plate. Center hole. |
| Lamp and Ballast L2 | 70 Watt Ceramic Metal Halide Lamp and 70W, 120/277 VAC electronic ballast, non dimmable. Time delay on hot restart. |
| See wiring detail sheet | |
| Projector P1 | Cast aluminum body with black anodize finish. Projector will be supplied and installed by a GlennCo Inc. or factory certified technician. Installer will make final installation and confinement on art object being illuminated. |
| Mounting M1 | Gimble Mount and strap |
| Lens | Objective lens selected by installation technician. |



652 Confluence Ave, Murray Utah, 84124

385-743-3333 Fax 385-743-3334

www.merlinlights.com

* Copyright Protected, GlennCo INC. 2006

