

ML-SM-70C-4

includes
70 Watt CMH Projector, and Swivel Mount

Projector Specifications

Description Merlin Light® Precision optical framing projector



Catalog # ML-SM-70C-4

Application Surface mount for all models of Merlin Light where an exposed projector is desired.

Lamp & Base 70 Watt Ceramic Metal Halide Lamp
L2-R

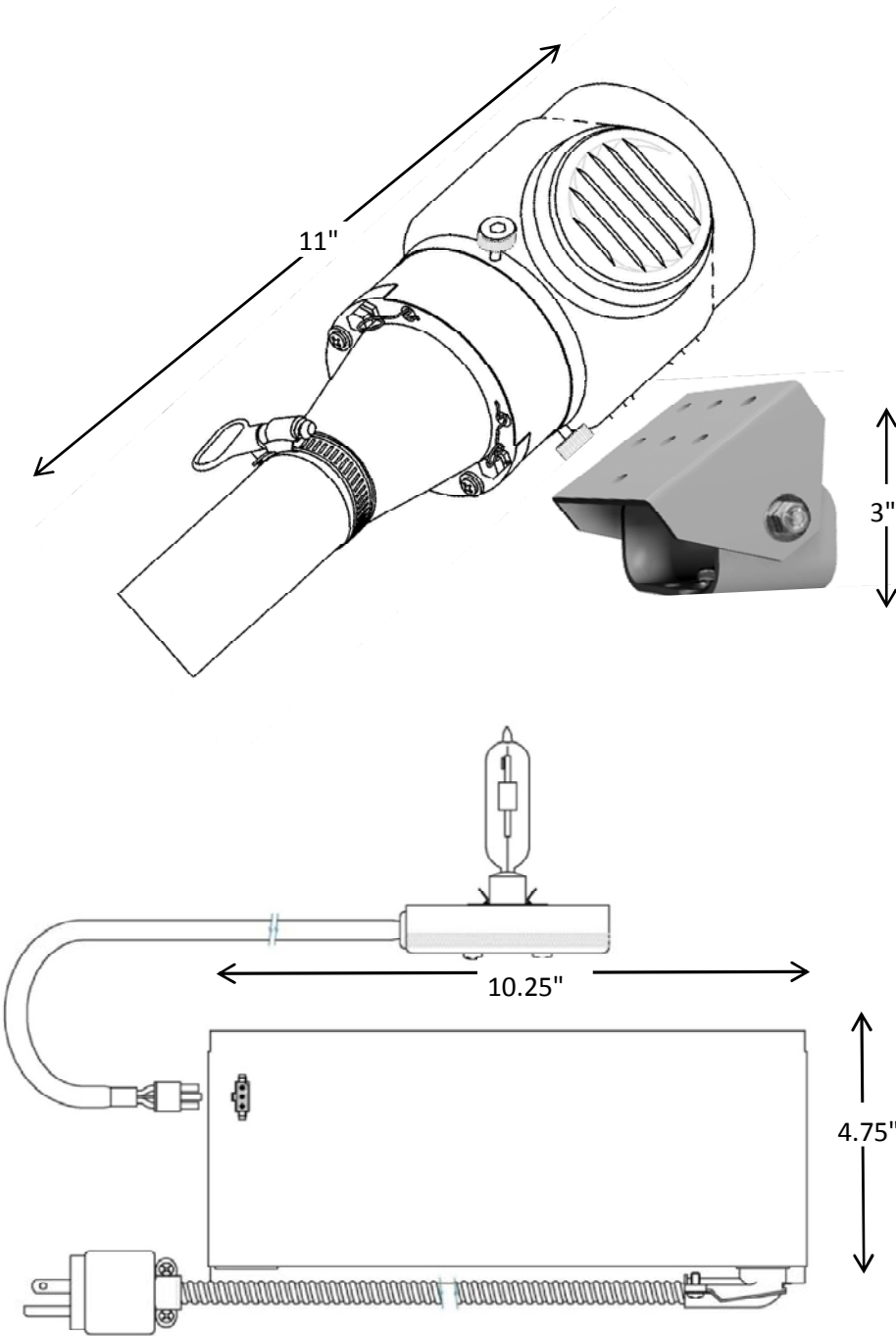
Remote Ballast 70 Watt Ceramic Metal Halide Lamp and 70W, 120/277 VAC electronic ballast, non dimmable. Time delay on hot restart.

See wiring detail sheet

Projector P1 Cast aluminum body with black anodize finish. Projector will be supplied and installed by a GlennCo Inc. or factory certified technician. Installer will make final installation and confinement on art object being illuminated.

Mounting Swivel Mount
M3

Lens Objective lens selected by installation technician.



652 Confluence Ave, Murray Utah, 84124

385-743-3333 Fax 385-743-3334

www.merlinlights.com

* Copyright Protected, GlennCo INC. 2006

