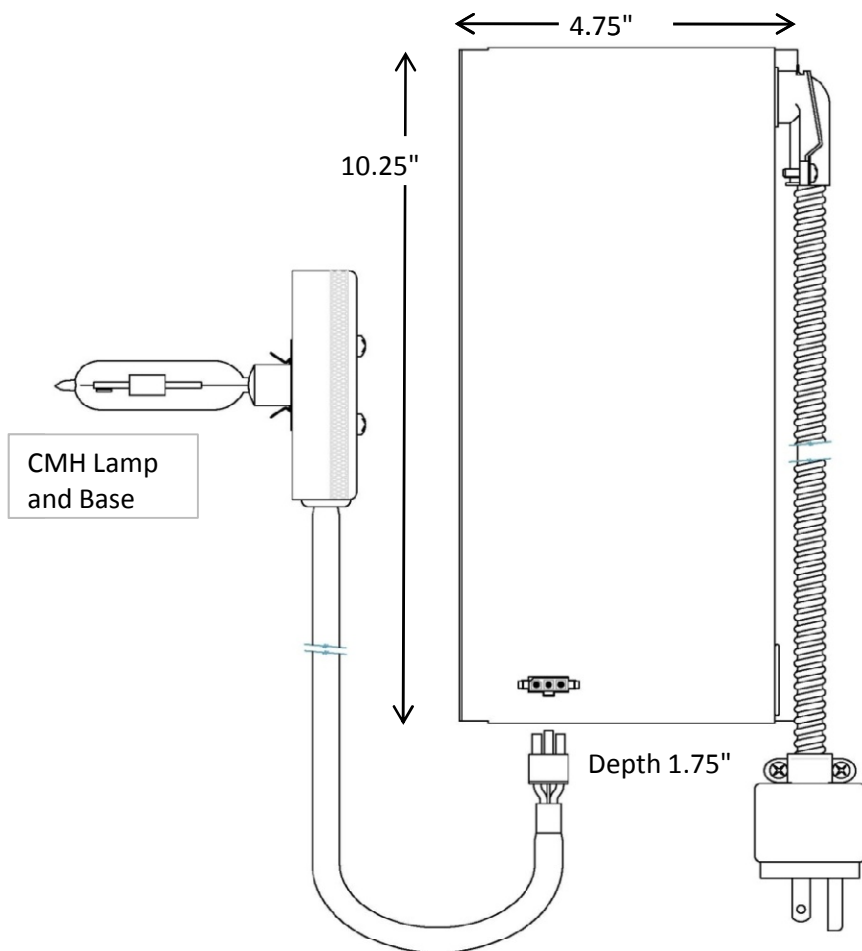


ML-RK-70

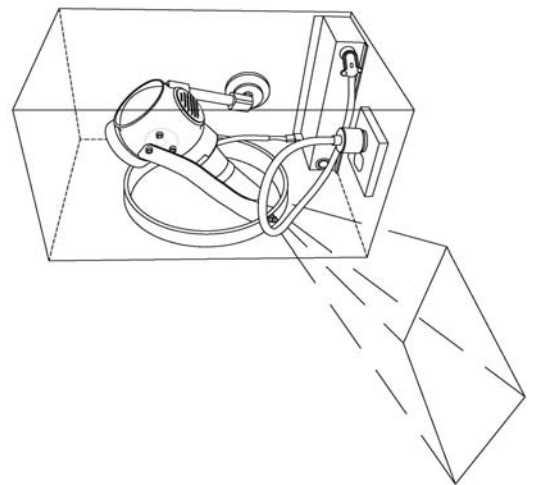
includes
Enclosure, 70W Non Dimmable Ballast, 70W CMH Lamp and Lamp Base.



Projector Specifications	
Description	Merlin Light® Retro Kit to convert Halogen to CMH lamping. Patent Pending
Catalog #	ML-RK-70
Rating	Install inside existing Merlin Light® Housing
UL 1598	20 Gage, powder coated, steel. Installed by qualified electrician Orient ballast toward art.
Enclosure L-BC	70 Watt Ceramic Metal Halide Lamp and 70W, 120/277 VAC electronic ballast, non dimmable. Time delay on hot restart.
Lamp and Ballast L2	See wiring detail sheet
Mounting	Screws through flanges, see instructions.

Comparison points; 70W CMH versus Halogen

Properties	CMH 70 watt	Halogen 250 watt
1. External housing temperature	98 deg	145 deg
2. Projector body temperture	125 deg	410 deg
3. Approximate lumins	6,200	5,000
4. Average rated life	15,000 hrs.	2,000 hrs.
5. CRI	83	100
6. K = Color temperature	3000K	2950K
7. Start time	3 min to 90%	instant
8. Restart time	15 min. cool down	instant
9. IC/AT Housing	Yes	No
10. Dimmable	Yes to 50%	Yes 100%
11. Input voltage	120/277VAC	120VAC



652 W. Confluence Ave Murray Utah, 84123

385-743-3333 fax 385-743-3334

www.glenncoinc.com

* Copyright Protected, GlennCo INC. 2006

